



The Legacy Companies

3355 Enterprise Avenue, Suite 160, Fort Lauderdale, FL 33331

Sales: (954) 202-7419 • Sales@TheLegacyCompanies.com

Tech Service: (877) 368-2797 • Service@MaxxHelp.com

Project Name: \_\_\_\_\_

Location: \_\_\_\_\_

Item #: \_\_\_\_\_ Qty: \_\_\_\_\_

Model: \_\_\_\_\_

www.MaxximumFoodService.com

# MODULAR ICE MAKERS (Bin Not Included)

Model:  MIM1000

MIM600

MIM452

International Model: Add -50 (220V/50Hz/1Ph)  
or -60 (220V/60Hz/1Ph)



As Shown on Bin



Top View



Bottom



**Slanted Slab Cube**  
Inches: 1.3 x 1.125 x 1  
mm: 33 x 29 x 25.4

Modular ice maker. Can produce 450 to 1000 pounds of ice per day (under the right conditions) depending on the model. Stainless steel construction provides durability to a unit that is low-maintenance and easy to clean. Vertical evaporator and proven ice making technology assures years of reliable ice production. These models can be stacked for even more ice production, if needed.

## ICE PRODUCTION

Air Temp 70°F (21°C) Water Temp 50°F (10°C)

MIM1000 Daily Ice Production: 1000 lbs (454kg)

MIM600 Daily Ice Production: 602 lbs (274kg)

MIM452 Daily Ice Production: 460 lbs (209kg)

Air Temp 90°F (32°C) Water Temp 70°F (21°C)

MIM1000 Daily Ice Production: 800lbs (363kg)

MIM600 Daily Ice Production: 468 lbs (212kg)

MIM452 Daily Ice Production: 368 lbs (164kg)

Storage Bin is Not Included. Maxx Ice has storage bins available. Gravity Drain is Required

## OPERATING REQUIREMENTS

Ambient Temp Range 45° to 99°F (7° to 37°C)

Water Temp Range 40° to 90°F (4° to 32°C)

Water Usage 100lbs (45.4kg) of Ice 16 Gallons (60.6 L)

Water Supply Line Connection 3/8" FPT

Water Pressure Range

Min PSI 15 Max PSI 80 (above 80 requires a regulator)

Min Bar 1.0 Max Bar 5.5

Energy Consumption kWh/100 lb (45.4 kg) 90°F(32°C)/70°F(21°C)

MIM1000: 5.8 kWh/100 lb

MIM600: 6.5 kWh/100 lb

MIM452: 7.1 kWh/100 lb

## REFRIGERANT

- CFC & HCFC free R-404A

## ELECTRIC

MIM1000 220V/60Hz/1 Ph (Hard Wired)

MIM600 220V/60Hz/1 Ph (Hard Wired)

MIM452 120V/60Hz/1 Ph (NEMA 5-15P)

(220V/50-60Hz/1ph available as an option)



## FEATURES and CONSTRUCTION

- Exterior Material: Stainless Steel
- Air Cooled Compressor
- Automatic Cleaning Cycle

\* Water Filter Recommended

## Maxx Ice WARRANTY (USA / CANADA)

Three (3) years parts

Three (3) years on-site labor

Five (5) years compressor (part only)

Administered by The Legacy Companies, 877.368.2797



Intertek  
Certified to  
ANSI-NSF 7



Intertek  
LISTED  
Certified to  
ANSI UL 471



Due to periodic changes in designs, methods, procedures, policies and regulations, the specifications contained in this sheet are subject to change without notice. While we exercise good faith efforts to provide information that is accurate, we are not responsible for errors or omissions in information provided or conclusions reached as a result of using the specifications.

By using the information provided, the user assumes all risks in connection with such use.

The built in performance enhancing functions ensure that given proper attention and preventative maintenance, each Maxx Product will deliver years of trouble free, reliable, low maintenance, efficient operation.

8/30/2016W



The Legacy Companies

3355 Enterprise Avenue, Suite 160, Fort Lauderdale, FL 33331

Sales: (954) 202-7419 • Sales@TheLegacyCompanies.com

Tech Service: (877) 368-2797 • Service@MaxxHelp.com

Project Name: \_\_\_\_\_

Location: \_\_\_\_\_

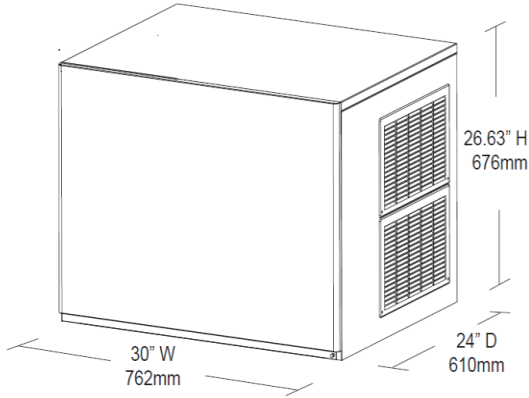
Item #: \_\_\_\_\_ Qty: \_\_\_\_\_

Model: \_\_\_\_\_

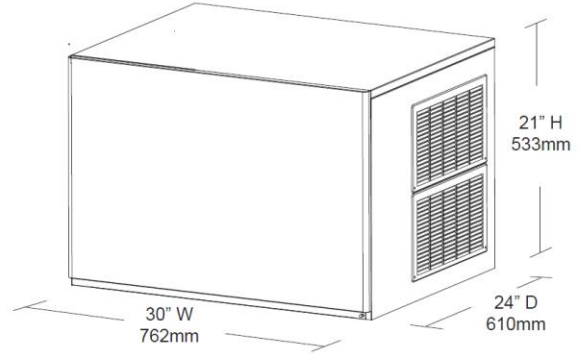
www.MaximumFoodService.com

# MODULAR ICE MAKERS (Bin Not Included)

**MIM1000**



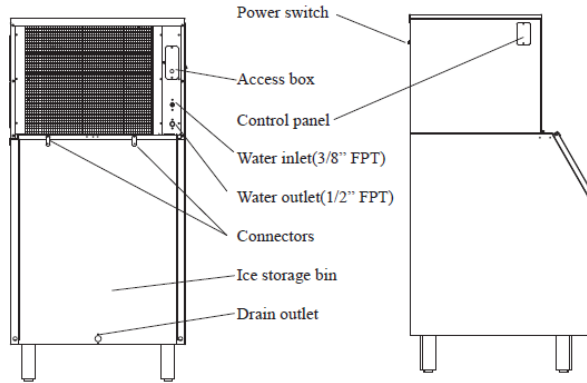
**MIM600 and MIM452**



As Shown on Bin

**Back**

**Side**



	MIM1000	MIM600	MIM452
<b>In: External Dimensions W x D x H</b>	30 x 24 x 26.63	30 x 24 x 21	30 x 24 x 21
<b>mm: External Dimensions W x D x H</b>	762 x 610 x 676	762 x 610 x 533	762 x 610 x 533
<b>Electrical Amp Draw</b>	11.75 Amps at 220V	10 Amps at 220V	15.3 Amps at 120V
<b>Unit Weight</b>	194 lbs (88 kg)	155 lbs (70 kg)	130 lbs (59 kg)
<b>Shipping Weight</b>	208 lbs (94 kg)	165 lbs (75 kg)	148 lbs (67 kg)

Installation must conform to applicable local codes and ordinances.  
Use of a qualified licensed technician is suggested.

Due to periodic changes in designs, methods, procedures, policies and regulations, the specifications contained in this sheet are subject to change without notice.

While we exercise good faith efforts to provide information that is accurate, we are not responsible for errors or omissions in information provided or conclusions reached as a result of using the specifications.

By using the information provided, the user assumes all risks in connection with such use.